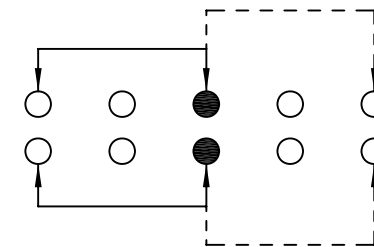
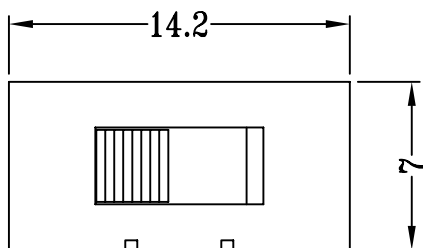
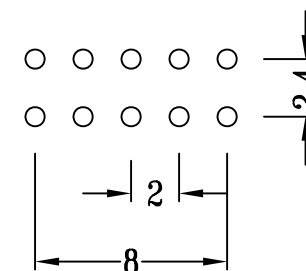
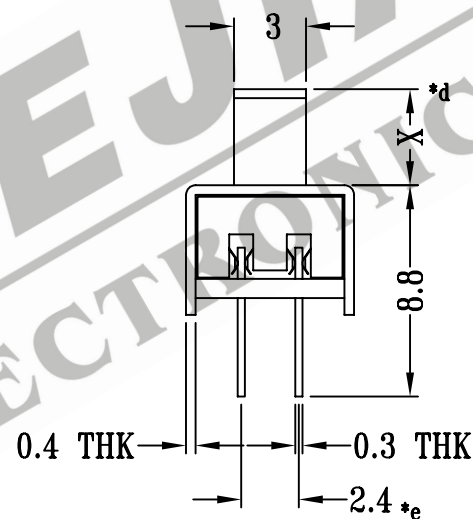
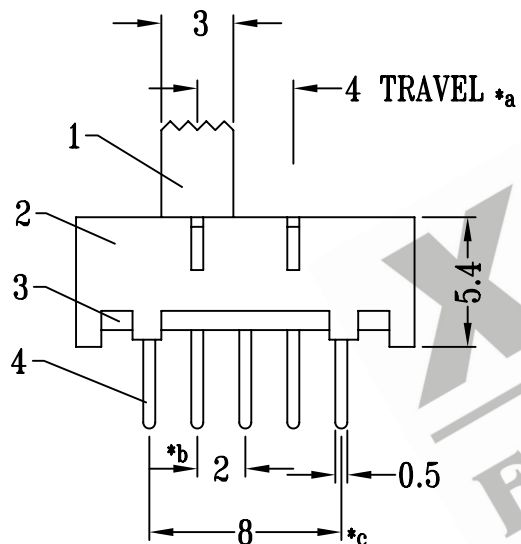




CAD FILE:



SCHEMATIC(NON-SHORTING)



P.C.B LAYOUT

注:带*表示关键尺寸(5个)

NO.	PARTS	MATERIALS	Q'TY	FINISH	TOLERANCE UNLESS SPECIFIED	SHENZHEN XIEJIA ELECTRONICS CO.,LTD.				
8					WITHIN: 1.5±0.1mm OVER: 1.5±0.2mm	ISSUE	DATE	DESCRIPTIONS OF REVISION		APPD.
7										
6	CONTACT CLIP	PBS	2	Ag CLAD	TITLE : VERTICAL SLIDE SWITCH MODEL: SS-22H25 ALL MATERIALS MUST BE COMPLIANT TO ROHS	UNIT : mm		DRWG NO.: XJ-DR-SS22H25-00		
5	SPRING	STAINLESS STEEL	1	NATURAL		SCALE: 3 : 1		DWN.	ZHOUYU	2004-5-13
4	TERMINAL	BRASS STRIP	10	Ag PLATED OVER Ni PLATED		CHK'D	FANGYING	2004-5-13		
3	BASE	PHENOLIC RESIN	1	NATURAL		APPD.	KANGXINAN	2004-5-13		
2	FRAME	STEEL STRIP	1	NATURAL						
1	KNOB	POM	1	BLACK						